

Report

Status:

Version:

Date

WP 2

Final

2.0

2001-01-08

Description of database – The register of historical maps and acts

Appendix 6

Description of database - The register of historical maps and acts

Final version 2.0

January 8, 2001

Harry Hietanen

National Land Survey of Sweden

Table of Contents

1	Description of Database - The register of historical maps and acts	1
1.1	Background.....	1
1.2	Objectives/Aim	1
1.3	Method and Technique	1
2	Specification of database structure in Denmark.....	2
2.1	Table structure in the Danish database - sognekort.....	2
2.1.1	Summary of information included in the register	2
3	Specification of database structure in Germany.....	4
3.1	Table structure in the German database	4
3.1.1	Summary of information included in the register	4
4	Specification of database structure in Sweden.....	6
4.1	The register of Lantmäteristyrelsen.....	6
4.1.1	Summary of information that include in the register.....	6
4.1.2	Other information included in the register	9
4.1.3	An overview of relationships of tables in LMS	9
4.1.4	Short description of the tables	10
4.1.5	County list.....	12
4.2	Rikets Allmänna kartverk.....	13
4.2.1	Summary of information within the register.....	13
4.2.2	Other information included in the register	14
4.2.3	An overview of relationships of tables in RAK	16
4.2.4	Short description of the tables	16

Report	Status:	Version:	Date
WP 2	Final	2.0	2001-01-08
Description of database – The register of historical maps and acts			Page 1
WP2-App6			

1 Description of Database - The register of historical maps and acts

1.1 Background

Sweden

The National Land Survey of Sweden treasures a large archive of historical maps and their descriptions.

Today, the archive in Gävle contains approximately 300 000 deeds/maps.

To keep track of the large number of deeds/maps, metadata have been stored in MS Access 2.0 database. The large amount of data in the Access database has increased the response time and caused problems for multi-user use.

Within this background the database has been transferred into an Oracle database.

Denmark

The maps chosen are a version of the first cadastral maps reduced in scale to 1:20.000, also leaving out part of the topographical elements. Usually each map comprises a parish. They are partly chosen for their clarity and manageability.

The KMS of Denmark has not for the material build up a register or database. The metadata is stored continuously to the Swedish Oracle database

Germany

In the Institute of Geography and the Library of Greifswald University 139 of the Matrikel maps are stored in the prototype (hand made, coloured copies from the 18th century).

The metadata have been stored in MS Access in Greifswald and are later exported to Oracle database in Sweden.

1.2 Objectives/Aim

The objectives are:

To store and keep track of the large amount of deeds/maps treasured.

To provide an easy way to search and query the database.

The aim of the specification is to describe the structure and content of the database.

1.3 Method and Technique

The database has been created in Oracle 7.3.4.0.0 using Designer 2000. Designer 2000 were chosen as it provided the tools needed for documentation and was already existing within the National Land Survey.

Report	Status:	Version:	Date
WP 2	Final	2.0	2001-01-08
Description of database – The register of historical maps and acts			Page 2
WP2-App6			

2 Specification of database structure in Denmark

The Danish Parish Maps ("Minorerede Sognekort") were made on the basis of the first cadastral maps, which were transformed, from the scale 1:4.000 to the scale 1:20.000. The cadastral maps normally covered only a village, whereas the Parish Maps usually cover a parish. They do not have all the information of the cadastral maps, but concentrate on the cadastral theme, buildings and sometimes also the division into cultivated land, meadows, moor, wood and so on.

These maps were used for selling to anyone who would like to buy one. Mostly it was the administration of the county and the (parish) commune, especially was it interesting to "amtstuen", which collected the revenue from the state land taxes.

Sometimes the maps were updated sometimes they were not. It is not always easy to tell, unless a comparison with the cadastral records is made, and it may take a lot of time to determine the exact time. However, sometimes the map constructor has added comments, and then it is easy. The maps were in use during the 19th century and in many cases (mostly on the islands) more than one map has been made. Also, some of the maps were printed. For the case of overview, sometimes maps were made covering a whole "herred" (10-30 parishes). The maps of the islands, especially Zealand were usually made around 1820, sometimes kept updated, and a new map was then made just before the turn of the century. In Jutland, there usually is only one map, dating from the 1830s. What today is Southern Jutland, then part of the Duchy of Slesvig, is not included, as the cadastral work was never done here

2.1 Table structure in the Danish database - sognekort

The first map showing the whole of Denmark. From this map or from the table next to it you choose a (modern) county. The next level shows the map of the selected county and a new table next to it. From this you choose the municipality you are interested in. Result of search show table with all the file names that are relevant.

See also File naming convention, Appendix 2.

2.1.1 Summary of information included in the register

Field	Description
County	County name
County code	A unique number of the county
County code 2	A unique number of the county (old)
Municipality	Municipality name
Municipality code	A unique number of the municipality
Parish	Parish name

Report	Status:	Version:	Date
WP 2	Final	2.0	2001-01-08

Description of database – The register of historical maps and acts Page 3

WP2-App6

Field	Description
Parish code	A unique number of the parish
Remarks	Remarks about map
File join	File name
Name of kind of map	Kind of map
Old county	Old county name
Shire	
Municipality today	Recent municipality name
Name of map	Name of map
Scale	State the scale of the map
From year	
To year	
Printed drawn	State print year
Path	Path for location in server
Size of file	Size of Original file (TIFF) in megabyte
Format name	Available digital formats of the map
Scanned year	Scanned year
Owner	Owners name
IM code	
X – Coordinate	X-Coordinate
Y – Coordinate	Y-Coordinate
Topographical map no	Sheet number
Spec	Used specification for digitising
File suffix	File suffix
Size komp	Size of Compressed file (MrSid) in megabyte
Date compressed	Date when compressed

Report	Status:	Version:	Date
WP 2	Final	2.0	2001-01-08
Description of database – The register of historical maps and acts			Page 4
WP2-App6			

3 Specification of database structure in Germany

In the Institute of Geography and the Library of Greifswald University 139 of the Matrikel maps are stored in the prototype (hand made, coloured copies from the 18th century).

The metadata have been stored in MS Access in Greifswald and are later exported to Oracle database in Sweden.

See also File naming convention, Appendix 2.

3.1 Table structure in the German database

3.1.1 Summary of information included in the register

Field	Description
Map Number	Original map number
Link Id	A unique identification number
File name	Name of file
Path	Path on the server for compressed files in the prototype located Sweden
Location on CD	Location on CD-ROM (in Greifswald)
Date scan	Processing date of the scan
Date databank entry	Date of data input into the server for the prototype in Sweden
Type of map	Type of map; at this time exclusively Swedish geometric maps of Pomeranian
Date map origin year	Date of the original map making (year)
Date map origin month	Date of the original map making (month)
Size map original x	Approximate x-size of the original map in cm
Size map original y	Approximate y-size of the original map in cm
Scale map original	Approximate map scale of the original map
State of conservation	State of conservation of the map original in words: good, partly damaged, seriously damaged
Material map original	Material of the map original, at this time all on paper
Data format available	Data format available; at this time tif and sid for all maps
Size file tif	File size of tif-file in megabyte
Size file sid	File size of sid-file in megabyte
Location map original	Location of the original map
Location text original	Location of the additional text original

Report	Status:	Version:	Date
WP 2	Final	2.0	2001-01-08
Description of database – The register of historical maps and acts			Page 5
WP2-App6			

Field	Description
Name map	Name of the map
Name county old	Ancient name of count, to which the village or area covered by the map belongs
Name village old	Ancient name of village or area, which is covered by the map
Specification	Data capture specification, e.g. scan of diapositive, digital photo of original, etc.
Owner digital data	Name of owner of the digital data (images files)
Owner map original	Name of the owner of the map original
Comments	Additional remark
Date of change	Date of the last change in the database
Link to explanation	Id to the explanation file (additional texts)

Report	Status:	Version:	Date
WP 2	Final	2.0	2001-01-08
Description of database – The register of historical maps and acts			Page 6
WP2-App6			

4 Specification of database structure in Sweden

The register are divided in two parts Rikets Allmänna kartverk (RAK) and Lantmäteristyrelsens kartarkiv (LMS).

4.1 The register of Lantmäteristyrelsen

The digital register of Lantmäteristyrelsen are fetched from an analogue register, which where done in 1920-1930. This register endure of 219 volumes, divided in 24 counties from A to Å according to the county division of the 1920:s. See County list in chapter 4.1.5.

See also File naming convention, Appendix 2.

The analogue register	The digital register
National maps and foreign maps are described in Volume 1, A-county.	Are Not in digital register.
Counties- and "härad" maps are described in volume 1, for each county.	The table LH_akter.
A register of village names -for each parish (old).	The table Bynamn.
Parish maps –village number 1 in each parish (old).	The field By_nr = 1
Maps and descriptions during each village.	The table Akter.
Survey deeds concerning "byggnadsväsendet" (received after 1943).	The table Brevakter.
A list over "kronoallmänningar" describes in volume 1, P-county.	Are Not in digital register.
Special register for delimitation of crown land maps and this describes (Å-county).	The table Å_avvittringsakter.
Special register for delimitation of crown land maps and this describes (Z-county).	The table Z_avvittringsakter.
Reference to a special book (Å-county).	The table Å_ströängar.
Reference to a special book (Z-county).	The table Z_ströängar.

4.1.1 Summary of information that include in the register

Field	Description
Län	County letter according to the county division of the 1920:s.
Länsnamn	The name of the county.
SCB-kod	A unique number of the county.
Socken	A unique number within the county which is equivalent to a parish (old).
Sockennamn	The name of the parish (old).
Härad_etc	The name of the older economic map "Häradskartan", "skeppslag" or

Report	Status:	Version:	Date
WP 2	Final	2.0	2001-01-08

Description of database – The register of historical maps and acts

Page 7

WP2-App6

Field	Description
	"tingslag"
By_nr	A unique number within the parish (old) which is equivalent to a village or a parish (if the village number "by_nr" = 1 it is a parish). Villages, which not have any unique number has assigned 999 and has put in to the table Restbyar.
Akt	A unique designation within the village (the table Akter) or within the county (the table LH_akter), which is equivalent to a survey deed.
Korsreferens	A survey deed which the village refer to. Contains also village number and sometimes it contains county letter too.
Brevakt	Indicate if there is a letter deed, 1 = yes.
Namn	Village name or "Hemmansnamn".
Kommentar	Comments to the name.
Sidantal	The number of maps and descriptions (This information are not always correct).
Innehållstext	Content what kind of survey deed.
Innehåll	Abbreviation of the content.
Innehåll_forts	Continuation of the content for the survey deed.
Ursprung	What source the abbreviation is fetch from.
Efternamn	The surveyor's surname.
Förnamn	The surveyor's first name.
Lantm	Unique abbreviation of the surveyor's surname and first name.
Lantm1	Abbreviation of the first surveyor's surname and first name.
Lantm2	Abbreviation of the second surveyor's surname and first name.
Lantm3	Abbreviation of the third surveyor's surname and first name.
Verksam_i_län	States in which counties the surveyor worked in. (Are not complete).
Verksam_år	States in which year the surveyor worked.
Verkställd	What year the map effect's.
Fastställd	What year the map ratified.
Län_ref	The county letter of the reference according to the county division of the 1920:s.
Socken_ref	The parish (old) number of the reference.
By_ref	The village number of the reference.
Akt_ref	The survey deed number of the reference.
Mätningdistrikt	The mark of measure district.
Kartans_socken	The parish (old) number of the map.
Kartans_by	The village number of the map.

Report	Status:	Version:	Date
WP 2	Final	2.0	2001-01-08

Description of database – The register of historical maps and acts

Page 8

WP2-App6

Field	Description
Kartans_akt	The survey deed number of the map.
Kartans_akt_sidor	The survey deed pages of the map (This information is not always correct).
Besk_sida	The page number of the description.
Besk_socken	The parish (old) number of the description.
Besk_by	The village number of the description.
Besk_akt	The survey deed number of the description.
Sida	The page number of the book. (E.g. 99,1).
Filmnr	Microfilm number.
Trälåda	X marks that the map/description is stored in a box made of wood.
Lådakt	X marks that the map/description is stored in a box.
Folieakt	X marks that the map/description is stored in a folder.
Rullad	X marks that the map/description is stored in a roller.
Antal_kartor	The numbers of maps the survey deed contained.
Antal_baksidor	The numbers of map backsides the survey deed contained.
Antal_handlingar	The numbers of descriptions the survey deed contained.
Exp_kartor	The numbers of map exposures.
Exp_handlingar	The number of description exposures.
Bildnr	The microfilm picture number, unique within the microfilm.
Övriga_anm	A column for notes.
Path	Specifies the location of the file (test for internal use).
Format	Specifies the format name (for internal use).
Filnamn	The name of the scanned file including the suffix (for internal use).
Forsamling_kod	A unique number within the county which is equivalent to a current parish.
Forsamling_namn	The name of the current parish.
Path_org	Specifies the location of the original file.
Filnamn_org	The name of the scanned original file including the suffix.
Storlek_org	The size of the scanned original file.
Fildatum_org	The date of the map been scanned.
Path_kompr	Specifies the location of the compressed file.
Filnamn_kompr	The name of the scanned compressed file including the suffix.
Storlek_kompr	The size of the scanned compressed file.
Fildatum_komp	The date of the file compressed.

Report	Status:	Version:	Date
WP 2	Final	2.0	2001-01-08

Description of database – The register of historical maps and acts Page 9

WP2-App6

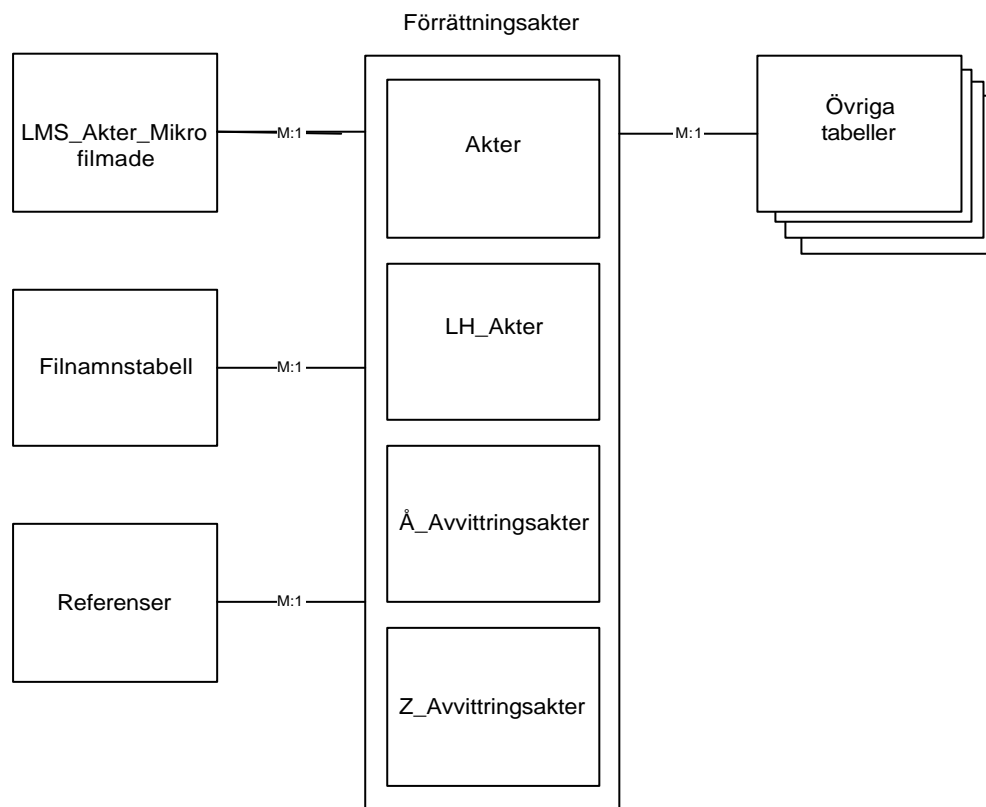
Field	Description
Spec	According to specification for acquisition. E.g. EU-DHM
Agare	Owner of the original file E.g. LMV

4.1.2 Other information included in the register

Fields are empty and not in use.

Field	Description
Storruta	Square-number (Swedish area is divided up in Squares for mapping)
Bladnummer	Sheet-number
Koordinater	Coordinates
Ortnamn	Place name

4.1.3 An overview of relationships of tables in LMS



Report	Status:	Version:	Date
WP 2	Final	2.0	2001-01-08
Description of database – The register of historical maps and acts			Page 10
WP2-App6			

4.1.4 Short description of the tables

For more detailed description see the model in oracle designer/2000.

TABLE: AKTER 223 339 records

Survey deeds/Maps of a village, all the maps has a unique number within the village, even letter deeds for change of name are stored in this table. (The rest of the letter deeds are stored in the table 'BREVAKT').

TABLE: LÄN 24 records

This is a table of the counties in Sweden according to the county division of the 1920:s.

TABLE: SOCKEN 2 864 records

Table of the parishes (old) in Sweden.

TABLE: BYNAMN 83 055 records

Table of the villages in Sweden. If the field 'By_nr' = 1, then the name is a Parish (old) name.

TABLE: BREVAKT 32 645 records

Villages which have a letter deed and which not comprise change of name.

TABLE: INNEHÅLL 328 records

Tells what kind of survey deeds that exists (the field 'Innehållstext'). In other tables abbreviation of the content is stored (the field 'Innehåll').

TABLE: LANTM 3 070 records

Table of the surveyors who exist in the register. In other tables abbreviation of the surveyors name is stored.

TABLE: REFERENSER 223 993 records

Villages, which refer to other survey deed in the table 'AKTER', the table 'LH_AKTER', the table 'Å_AVVITTRINGSAKTER' or the table 'Z_AVVITTRINGSAKTER'.

TABLE: RESTBYAR 65 581 records

The villages, which not have a unique number, have got a number of 999, this are cold 'Restbyar'.

TABLE: LH_AKTER 843 records

Survey deeds/Maps of a county or "Härad", all the maps has a unique number within the county.

TABLE: LH_BREVAKT 24 records

Counties or "Härad" which have a letter deed.

TABLE: LH_REFERENSER 393 records

Counties, which refer to other survey deed in the table 'AKTER' or in the table 'LH_AKTER'.

TABLE: Z_AVVITTRINGSAKTER 662 records

Survey deeds/Maps with delimitation of crown land between the crown and the individual. Delimitation of crown land exists in Z-county and Å-county. The Maps are done over a village and those descriptions are always stored under the parish (old) i.e. the village number of description (the field 'Besk_by') is always = 1. All the maps have got a unique survey deed number within the village. The difference between this table and the table 'AKTER' is that it has descriptions and measurements districts etc. The survey deed of the map is not within the table 'AKTER'.

Report	Status:	Version:	Date
WP 2	Final	2.0	2001-01-08
Description of database – The register of historical maps and acts			Page 11
WP2-App6			

TABLE: Z_STRÖÄNGAR 706 records

Scatter meadows is in Z-county and in Å-county. The table tells that the village has a scatter meadow and refers to one or more pages in a special book. The book usually not contains some maps, however the scatter meadows can be within the "avvittringskartan" (delimitation of crown land map).

TABLE: Å_AVVITTRINGS AKTER 4 775 records

Survey deeds/Maps with delimitation of crown land between the crown and the individual. "Avvittringsakter" (delimitation of crown land) is in Å-county "Norrbotten" and Z-county "Västerbotten". In "Norrbotten" the maps are done over a parish i.e. the village number of the map (the field 'By_nr') is always = 1. There are even descriptions, which can be stored under other village and even under other parish. This table shows which villages that refer to such parish map and its descriptions. Many of the villages have no other survey deeds. The survey deed of the map is not within the table 'AKTER'. However, there are other "avvittringsakter" (delimitation of crown land) in Å-county (is mostly delimitation of islets and rocky islets) which are stored in the table 'AKTER'.

TABLE: Å_STRÖÄNGAR 501 records

Scatter meadows is in Å-county and in Z-county. The table tells that the village has a scatter meadow and refers to one or more pages in a special book. The book usually not contains some maps, however the scatter meadows can be within the "avvittringskartan" (delimitation of crown land map).

TABLE: LMS_AKTER_MIKROFILMADE

Survey deeds which where micro filmed. Film numbers and picture numbers are together unique. The registrations are not complete.

TABLE: FILNAMNSTABELL

A link-table between the register and it's scanned files. Now the files are stored in tapes and CDs. The table is not complete.

TABLE: KOORDINAT_TABELL

Coordinates and Place names connect to the survey deed maps. This table is not created yet.

TABLE: BY_FORSAMLING

A link-table between and current parish.

TABLE: SCANNAT_LMS_ORG

Survey deeds which where scanned. (Original Uncompressed).

TABLE: SCANNAT_LMS_KOMP

Survey deeds which where scanned. (Compressed).

Report	Status:	Version:	Date
WP 2	Final	2.0	2001-01-08

Description of database – The register of historical maps and acts

Page 12

WP2-App6

4.1.5 County list

Table with County division of the 1920:s and recent division

County division of the 1920:s			Recent County division		
Cod No	County	County name	Cod No	County	County name

1	A	Stockholms län	1	AB	Stockholms län
3	B	Uppsala län	3	C	Uppsala län
4	C	Södermanlands län	4	D	Södermanlands län
5	D	Östergötlands län	5	E	Östergötlands län
6	E	Jönköpings län	6	F	Jönköpings län
7	F	Kronobergs län	7	G	Kronobergs län
8	G	Kalmar län	8	H	Kalmar län
9	H	Gotlands län	9	I	Gotlands län
10	I	Blekinge län	10	K	Blekinge län
11	K	Kristianstads län	12	M	Skåne län
12	L	Malmöhus län	12	M	Skåne län
13	M	Hallands län	13	N	Hallands län
14	N	Göteborgs o Bohus län	14	O	Västra Götalands län
15	O	Älvsborgs län	14	O	Västra Götalands län
16	P	Skaraborgs län	14	O	Västra Götalands län
17	R	Värmlands län	17	S	Värmlands län
18	S	Örebro län	18	T	Örebro län
19	T	Västmanlands län	19	U	Västmanlands län
20	U	Kopparbergs län	20	W	Dalarnas län
21	V	Gävleborgs län	21	X	Gävleborgs län
22	X	Västernorrlands län	22	Y	Västernorrlands län
23	Y	Jämtlands län	23	Z	Jämtlands län
24	Z	Västerbottens län	24	AC	Västerbottens län
25	Å	Norrbottnens län	25	BD	Norrbottnens län

Report	Status:	Version:	Date
WP 2	Final	2.0	2001-01-08
Description of database – The register of historical maps and acts			Page 13
WP2-App6			

4.2 Rikets Allmänna kartverk

The register has established while the inventory of archives has going on. Every type of map has a number, with a 'J' in front of it, called series designation ("seriebeteckning").

In the general archive structure one split up the archive in difference groups, there the group for maps and plans has an initial term J.

4.2.1 Summary of information within the register

Information included in every series:

Field	Description
Seriebeteckning	"LMV:s serieindelning ", National land survey of Sweden's series grouping for "Rikets Allmänna kartverk" and "Lantmäteriet".
Id	A unique Id for the map. Different for each series what it consists of.

Other information not included in every series:

Field	Description
S_N	States if the map belong to the southern part or the northern part, is used to get a unique sheet-number.
Ruta_nr	States the square number.
Rutanamn	States the square name.
Län	County letter.
Härad	"Häradsnamn" name of judicial district.
Socken	Parish (old) number
Bladnummer	States the map-sheet-number. Different for each series what it consists of.
Bladdel	Quarter map, ex. NV = Northwest, NO = Northeast, SV = Southwest, SO = Southeast, NM = North middle, SM = South middle.
Bladnamn	States the sheet name of the map.
Material	States the material of the map, P = paper, V = fabric, PV = paper on fabric.
Skala	States the scale of the map.
Version	What version it is.
Antal	The number of stored example of the map.
Storblad	States if the sheet has a bigger format than standard. Shows with a cross (x).
Antal_färger	The number of colours on the map.
Scannmarkering	Shows if the map has been send away for scanning to Segersta. However not if the map has been scanned, that one can se in the table of scanning.
Innehåller_äv_konc_till_fältm	States if a part of the map contains "koncept till fältmätningkoncept" (concept map to field concept).
Koppartryck	States if the map is reproduce with "koppartryck " (copper print) and not with any else method.
Gravör	States who has engraves the sheet-copper.
Tillh-Besk	The description of the map is stored in archive cartons, The cartons are marked with series beteckning" and "volymnummer".
Edition	States what edition.
Datering	A year that is on the map.

Report	Status:	Version:	Date
WP 2	Final	2.0	2001-01-08

Description of database – The register of historical maps and acts

Page 14

WP2-App6

Bladets_Första_utg_år	The map-sheets first publication-year. The information is from a book.
Tryckår	States what year the map is printed.
Field	Description
Uppmätt_år	States what year the map is measured.
Fältmät_konc_på_stomk_år	
Fotograferingsår	States what year the map is air-photographed.
Rekognoserad_år	States what year the map is reconnoitred.
Reviderad	States what year the map is altered.
Granskad	States what year the map is examined.
Översedd	States what year the map is reviewed.
Delvis_reviderad	States what year the map is partly reviewed.
Kartläggningsår	States what year the map is surveyed.
Behov_av_Lagn_kons	States if the map is in need of treatment or preservation.
Ant_på_baksidan	States if there are notes on the map.
Alt_Id	Alternative id. In case of
Gammal_beteckning	States an old designation before Segersta production.
Övriga_anmärkningar	A column for notes.

Information included in all scanning tables

Field	Description
Scanner	States what type of scanner that is used (1 = "flat-bed" scanner, of mark Terragon).
Mode(C/G/B)	States if it's colour or not. (C = Colour, G = Grey, B = Black and white). So far, every picture is scanned with colour.
Antal_bitar	States number of bits (24 bit = 16,7 millions colours, 8 bit = 256 colours).
Upplösning	Resolution of the digital picture is 254 dpi one pixel is 1/10 mm (50 cm = 5000 pixels). The fields shows 0250 dpi.
Storlek	States the size of the map that has been scanned.
Scannad	The date of the scanned map.
Bandnamn1	The name of the tape where the scanned map is stored.
Filnamn1	The filename of the map that is stored on Bandnamn1".
Transformerad	Transformation date of the map.
Bandnamn2	The name of the tape where the transformed map is stored.
Transformeringsmetod	States the method for the transformation, 1 = Affin co-ordinate-transformation.
Filnamn2	The filename of the map, that has been transformed and is stored on "Bandnamn2".
Anmärkning_scanning	A note about the scanning.

In progress

Field	Description
Komprimerad	The compression date of the map
Bandnamn3	The filename of the map, that has been compressed and is stored on "Bandnamn3".
Komprimerings_metod	States the compression method.
Filnamn3	The filename of the map, that has been compressed and is stored on "Bandnamn3".

4.2.2 Other information included in the register

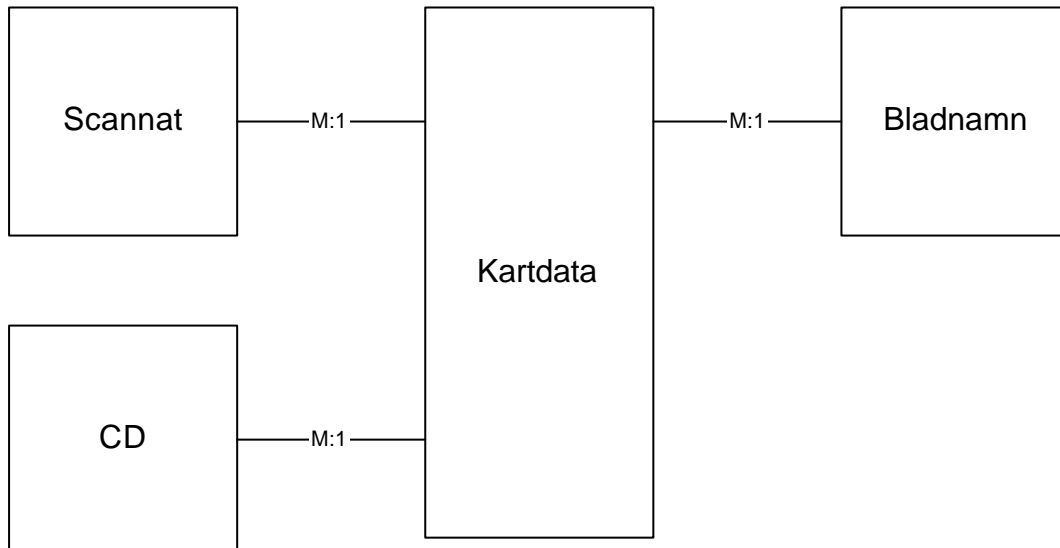
Fields are empty and not in use.

Report	Status:	Version:	Date
WP 2	Final	2.0	2001-01-08
Description of database – The register of historical maps and acts			Page 15
WP2-App6			

Field	Description
Koordinator	Coordinates
Ortnamn	Place name on the map

Report	Status:	Version:	Date
WP 2	Final	2.0	2001-01-08
Description of database – The register of historical maps and acts			Page 16
WP2-App6			

4.2.3 An overview of relationships of tables in RAK



4.2.4 Short description of the tables

For more detailed description see the model in oracle designer/2000.

TABLE: GST_TOPO

Topographical map "Generalstabskartan" (the ordnance map). Contains these series designations: J2.1.1, J2.1.2, J2.1.4, J2.2.1, J2.2.2, J2.3.1, J2.3.2, J2.4.1, J2.4.2, J2.4.3

TABLE: BLADNAMN_GST_TOPO

The map-sheet names for the topographical map, "Generalstabskartan" (the ordnance map).

TABLE: SCANNAT_GST_TOPO

Scanning information for the topographical map, "Generalstabskartan" (the ordnance map). In some cases it is uncertain which map is on the file, therefore there is a field called Alt_id, that states an alternative Id.

TABLE: SCANNAT_GST_FEL_ID

Scanning information for the topographical map, "Generalstabskartan" (the ordnance map). A table whit false Id.

TABLE: CD_GST_TOPO

Filename on the CD for the topographical map "Generalstabskartan" (the ordnance map). Not complete.

TABLE: EKO_10

Economic map, scale 1:10 000. Series designation: J1.3.3.

TABLE: BLADNAMN_EKO_10

The map sheet names for the economic map, scale 1:10 000.

TABLE: SCANNAT_EKO_10

Report	Status:	Version:	Date
WP 2	Final	2.0	2001-01-08
Description of database – The register of historical maps and acts			Page 17
<hr/> WP2-App6			

Scanning information for the economic map, scale 1:10 000.

TABLE: CD_EKO_10

Filename for the economic map on the CD, scale 1:10 000. Not complete.

TABLE: EKO_20

Economic map, scale 1:20 000, North interior of Sweden.

Contains series designation: J1.4.1

TABLE: BLADNAMN_EKO_20

The map sheet name for economic map, in scale 1:20 000, North interior of Sweden.

TABLE: SCANNAT_EKO_20

Scanning information for the economic map, scale 1:20 000, North interior of Sweden.

TABLE: CD_EKO_20

Filename for the economic map on the CD, scale 1:20 000, North interior of Sweden.

TABLE: GRÖNA_K

Printed topographical map, scale 1: 50 000/ 1:100 000.

Contains these series designations: J2.5.1, J2.5.2

TABLE: BLADNAMN_GRÖNA_K

The map sheet names for the printed topographical map, scale 1: 50 000/ 1:100 000.

TABLE: SCANNAT_GRÖNA_K

Scanning information for the printed topographical map, scale 1: 50 000/ 1:100 000.

TABLE: J111_STOM_HÄRADS_EKO

Base map for the economic map, "Häradskarta" south of Sweden.

Contains series designation: J1.1.1

TABLE: BLADNAMN_J111_STOM_HÄRADS_EKO

The map sheet names for basic map for the economic map, "Häradskarta" south of Sweden.

TABLE: SCANNAT_J111_STOM_HÄRADS_EKO

Scanning information for basic map for the economic map, "Häradskarta" south of Sweden.

TABLE: J112_KONC_HÄRADS_EKO

Concept map for the economic map, "Häradskarta" south of Sweden.

Contains series designation: J1.1.2

TABLE: BLADNAMN_J112_KONC_HÄRADS_EKO

The map-sheet names for concept map for the economic map, "Häradskarta" south of Sweden.

TABLE: SCANNAT_J112_KONC_HÄRADS_EKO

Scanning information for the concept map for the economic map, "Häradskarta" south of Sweden.

TABLE: J114_TRY_HÄRADS_EKO

Printed topographical map "Häradskarta".

Contains series designation: J1.1.4

TABLE: SCANNAT_J114_TRY_HÄRADS_EKO

Report	Status:	Version:	Date
WP 2	Final	2.0	2001-01-08
Description of database – The register of historical maps and acts			Page 18
WP2-App6			

Scanning information for the old printed economic map (Häradskarta).

TABLE: J122_KONC_HÄRADS_EKO

Concept map for the economic map, "Häradskarta", north of Sweden.
Contains series designation: J1.2.2

TABLE: BLADNAMN_ J122_KONC_HÄRADS_EKO

The map-sheet names for the concept map for the economic map, "Häradskarta" north of Sweden.

TABLE: SCANNAT_J122_KONC_HÄRADS_EKO

Scanning information for the concept for the economic map, "Häradskarta" north of Sweden.

TABLE: J124_TRY_HÄRADS_EKO

Printed old economic map "Häradskarta", Norrbotten County.
Contains series designation: J1.2.4

TABLE: BLADNAMN_ J124_TRY_HÄRADS_EKO

The map-sheet names for the printed old economic map "Häradskarta", Norrbotten County.

TABLE: SCANNAT_J124_TRY_HÄRADS_EKO

Scanning information for printed old economic map "Häradskarta", Norrbotten County.

TABLE: SERIER

Describes the series of the maps. This table has not yet been created.

TABLE: KOORDINAT_TABELL

Coordinates and Place names that connect to the survey deed maps. This table has not yet been created.